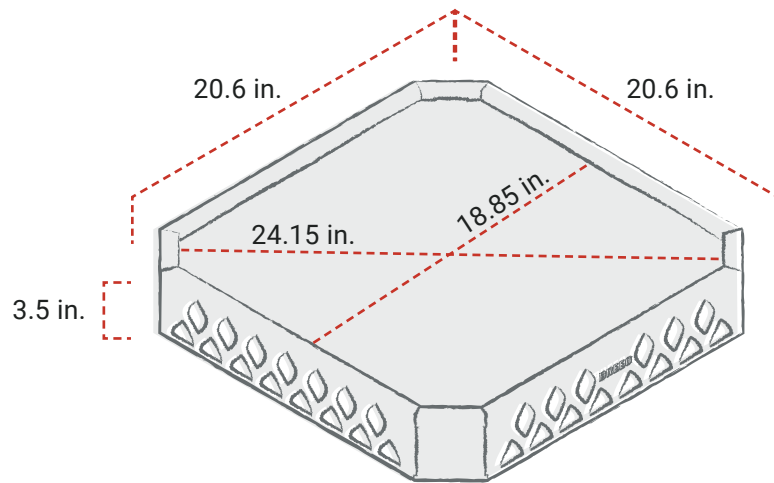


BREEO BASE X19

BREEO BASE SPECIFICATIONS

SKU: BR-XS19-SSBA



FITS THE X SERIES 19 FIRE PIT

UNIT:

Material:

Stainless Steel

Weight:

9.5 lbs.

DIMENSIONS:

Width of Stand: 20.6 in.

Stand Height: 3.5 in.

Surface Length: 18.85 in.

Diagonal Length: 24.15 in.



WWW.BREEO.CO

